



**MAXIMAL FORKS
AUSTRALIA**

- **Maximum Reliability**
- **Maximum Value**
- **Maximum Power**

M SERIES ●

2.0 - 3.5 Ton LPG/Gasoline Forklifts (Mitsubishi Engine)



We give the Maximal choice.



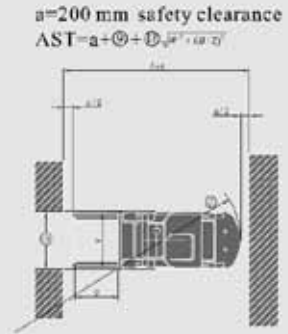
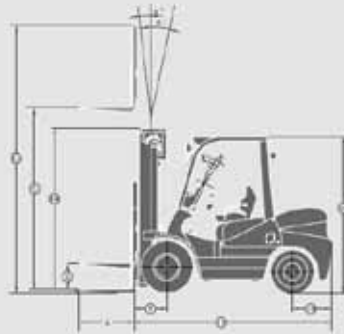
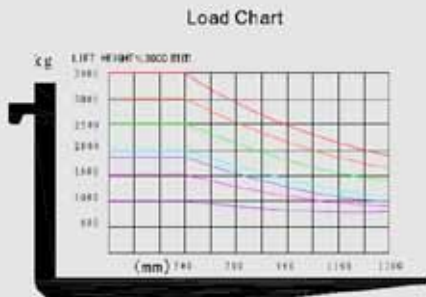
M Series 2.5 Ton LPG Forklift



MAXIMAL FORKS AUSTRALIA

M Series 2.0 - 3.5 Ton LPG/Gasoline Forklift Specifications

General	1	Model		FGL20T-MWC3	FGL25T-MWC3	FGL30T-MWC3	FGL35T-MWC3		
				FGL20-MWC1	FGL25-MWC1	FGL30-MWC1	FGL35-MWC1		
General	2	Power Type		Gasoline/LPG					
	3	Rated Capacity	kg	2000	2500	3000	3500		
	4	Load Centre	mm	500					
	5	Lift Height	mm	3000					
Characteristics & Dimensions	6	Free Lift Height	mm	160		165			
	7	Fork Size (LxWxT)	mm	1070x122x40	1070x122x40	1070x125x45	1070x125x50		
	8	Fork Regulating Range (Min/Max)	mm	250/1040		250/1100	260/1100		
	9	Mast Tilt Height (F/R)	deg	6 / 12 Degrees					
	10	Fork Overhang	mm	460	460	485	485		
	11	Rear Overhang	mm	460	495	520	585		
	12	Ground Clearance (Bottom of Mast)	mm	125	125	140	40		
	13	Length to face of fork (With Fork)	mm	2510	2545	2685	2750		
	14	Overall Width	mm	1150	1150	1210	1210		
	15	Mast Lowered Height	mm	2010	2010	2075	2150		
	16	Mast Extended Height (With Backrest)	mm	4020	4020	4140	4140		
	17	Overhead Guard Height	mm	2095	2095	2120	2120		
	18	Turning Radius (Outside)	mm	2180	2250	2430	2450		
	19	Min.right angle stack aisle width (add load length and clearance)	mm	1940	2010	2140	2160		
Performance	20	Speed	Travel (Unladen)	km/h	20	20	19	19	
	21		Lifting (Laden)	mm/se	440	440	455	410	
	22		Lowering (Laden)	mm/se	450				
	23	Max. Drawbar Pull (Full Load)	KN	17/15					
24	Max. Gradeability (Full Load)	%	20	20	20	18			
Tyres	25	Tyres	Front	mm	7.00-12-12 PR	7.00-12-12 PR	28x9-15-14 PR	28x9-15-14 PR	
	26		Rear	mm	6.00-9-10 PR	6.00-9-10 PR	6.50-10-10 PR	6.50-10-10 PR	
	27	Tread	Front	mm	970	970	1000	1000	
	28		Rear	mm	980	980	980	980	
	29	Wheelbase	mm	1600	1600	1700	1700		
Weight	30	Self Weight		kg	3450	3620	4310	4750	
	31	Weight Distribution	Full Load	Front	kg	4690	5260	6290	7090
	32			Rear	kg	760	860	1020	1160
	33		No Load	Front	kg	1550	1630	1940	2140
34	Rear			kg	1900	1990	2370	2610	
Power & Transmission	34	Battery - Voltage/Capacity		V/Ah	12/60				
	35	Engine	Model		4G64 (Eulll)				
	36		Manufacturer		MITSUBISHI				
	37		Rated Output/r.p.m	kw	37/2500				
	38		Rated Output/r.p.m	N-m	161/1600				
	39		No. Of Cylinder		4				
	40		Bore x Stroke	mm	86.5x100				
	41		Displacement	L	2.35				
	42	Fuel Tank Capacity	L	60	70				
	44	Transmission	Type		Hyd (Mech)				
45	FWD/RVS			1/1 (2/2)					
46	Operating Pressure (For Attachments)		MPA	17.5					



Perth Office - 12 Church Road Maddington WA 6109

Mobile: 0419 549 831 Fax: (08) 9452 8833

Phone: (08) 9452 9888 Email: sales@maximalforks.com.au



ISO9001:2000



ISO4001:2004



CE CERTIFICATE

All rights reserved. Any doubt, please contact us.